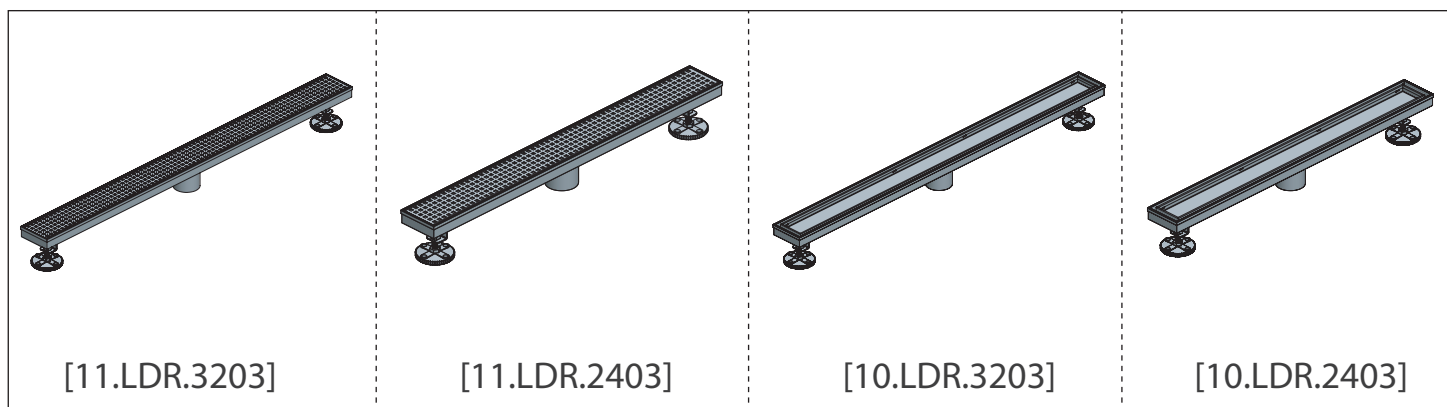


Installation Manual - 32in & 24in Linear Floor Drain



BEFORE YOU BEGIN

- You must observe all local plumbing laws and codes.
- Do not install this Drain if it does not meet local plumbing codes.
- Shut off the main water supply.

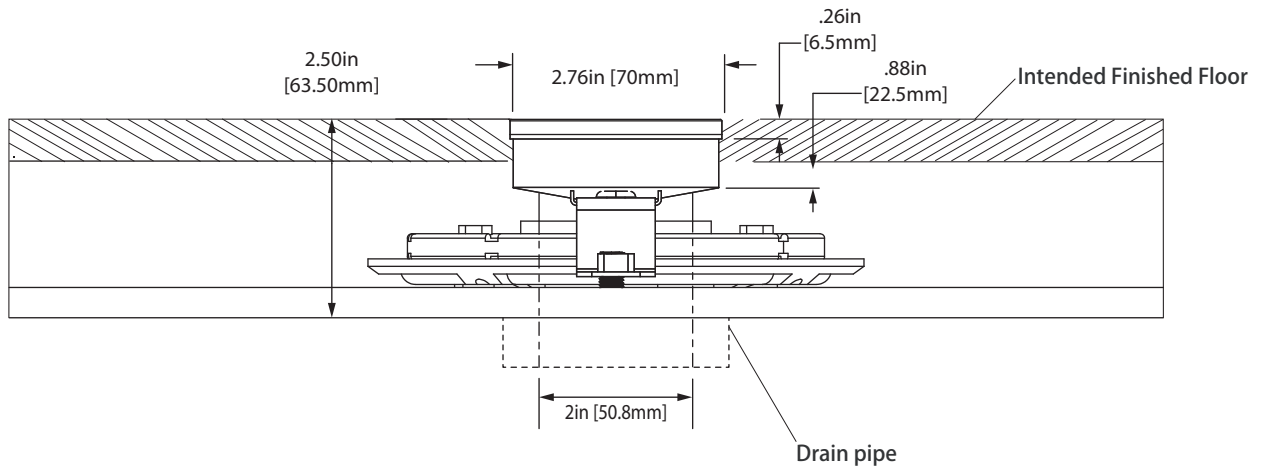
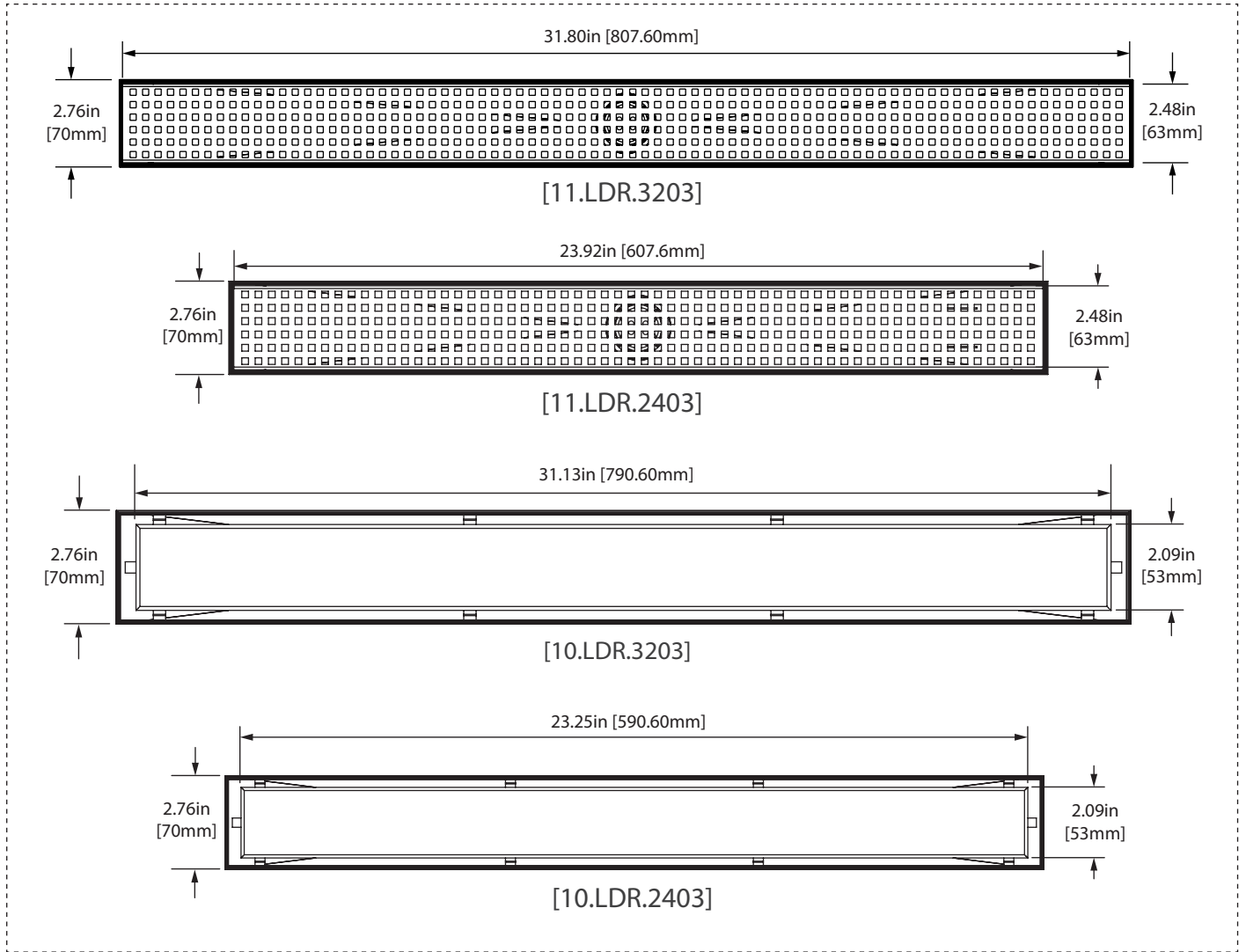
TABLE OF CONTENTS

• Rough in Specifications	1
• Drain Installation	2
• Cleaning Instruction	3

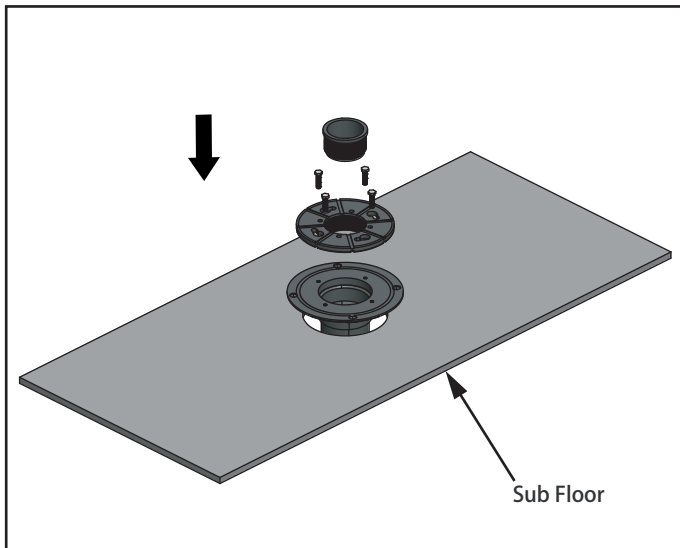
NOTICE TO HOMEOWNER

- We recommend that this product is installed by a qualified professional plumber.
- Please check this product immediately to ensure that it has not been damaged and is complete. Before installation, please make sure this product is the correct model and you have all the parts required for installation and use.
- Please flush the water system to ensure that no metal swarf, solder, and other impurities can enter the product.
- Turn off water supply before commencing work.
- Please read these instructions carefully and retain for future reference.

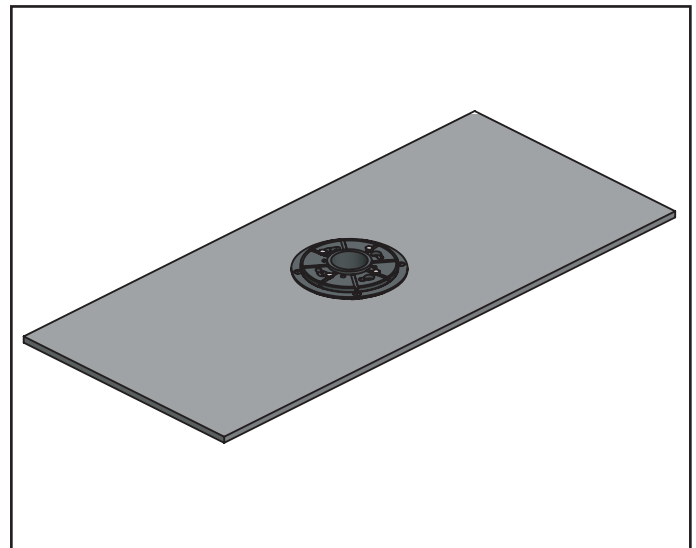
ROUGH IN SPECIFICATION



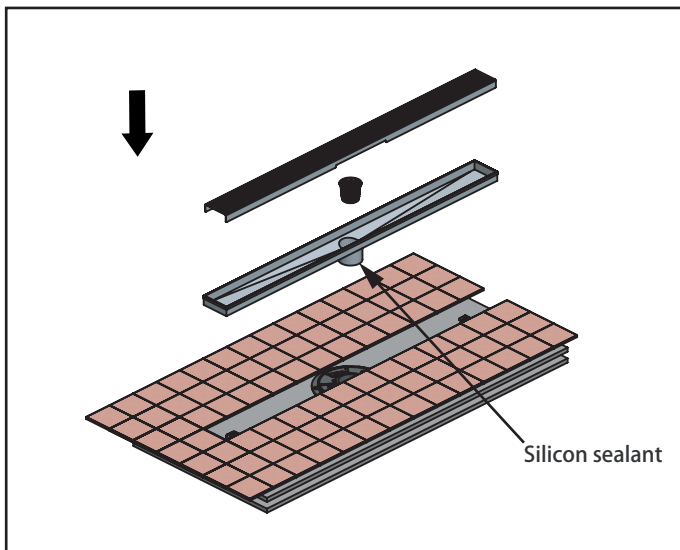
INSTALLATION



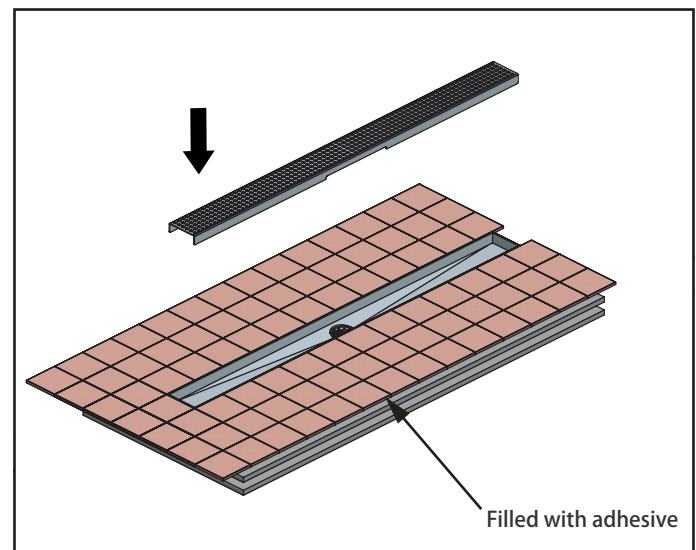
Cut a sloped hole in the floor. Place the drain base flange into the hole and secure it with 4 screws. The top of the drain base should be level with the floor surface.



Place the clamping ring over the drain flange and tighten the bolts. This will press the rubber liner down in the middle. If you're using a rubber gasket or an adjustable ring, use only one of them not both. Either screw in the adjustable ring or insert the rubber gasket.



Before installing the shower drain on the flange, apply a ring of silicone to seal it. Then place the drain onto the flange and make sure it is level.



Connect the siphon to the drain outlet using the adapter. After connecting, make sure the siphon and drain are sealed tightly. Before installing the shower drain, place the protective material (like the polystyrene piece included in the package) over the drain to protect it during construction.

INSTALLATION

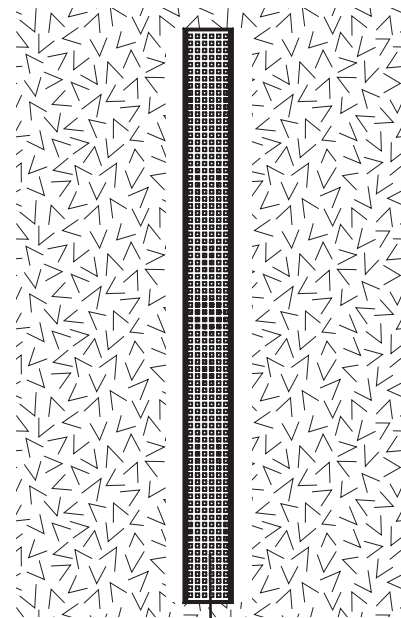
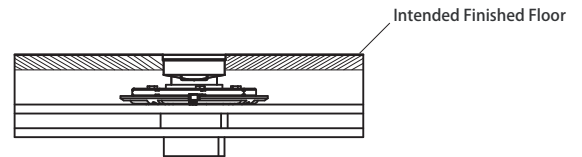
To drain easily, the mounting position of floor drain must be at the lowest area of the whole finished floor.

Determine the height of prearranged stub-out according to the diameter of drain pipe and the height of intended finished floor.

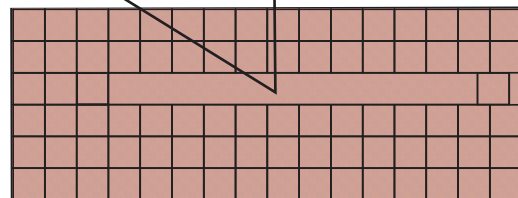
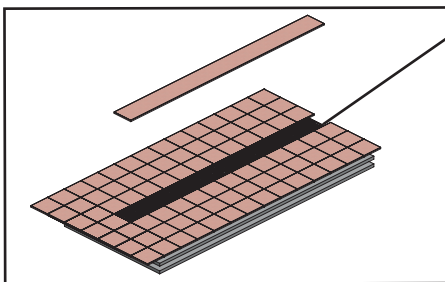
Mount the floor drain according to the determined height. Position it. Fill up the interspace around it with cement.

The size of opening on the tile is as the figure shown. Lay the tile.

Fill up the gap between the floor drain and tile with cement. Remove any excess cement.



Drain set up under the Flooring Tile



CLEANING INSTRUCTION

All Finishes: Clean the finish with mild soap and warm water. Wipe entire surface completely dry with clean soft cloth. Many cleaners may contain chemicals, such as ammonia, chlorine, toilet cleaner etc. which could adversely affect the finish and are not recommended for cleaning.

Do not use abrasive cleaners or solvents on ISENBERG Faucets and fittings.

SERVICE PARTS

