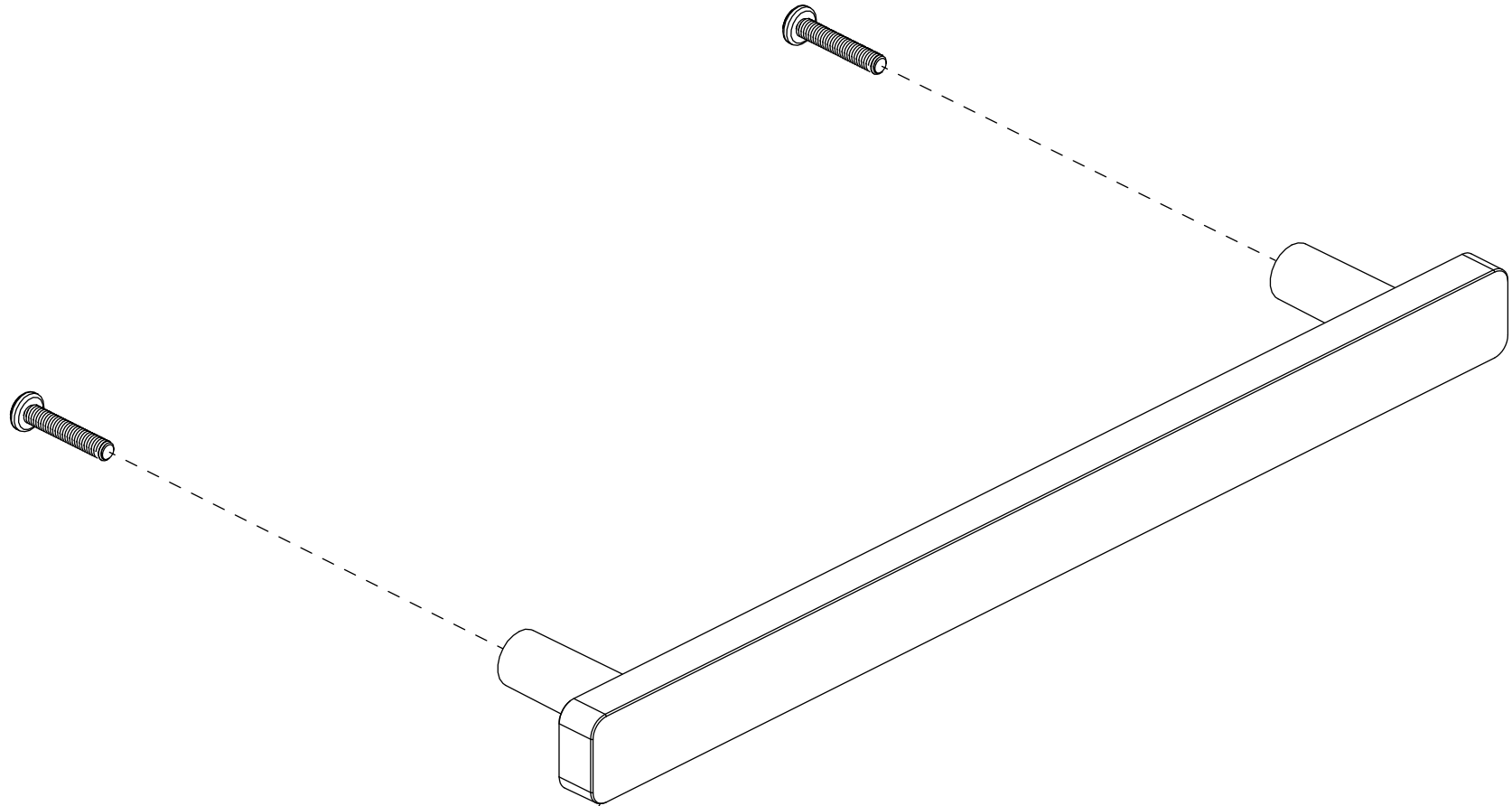


# Product Parts Breakdown



196.DPL.160  
Cabinet Pull

**Model No.**196.DPL.160    **Ver** 2.53

