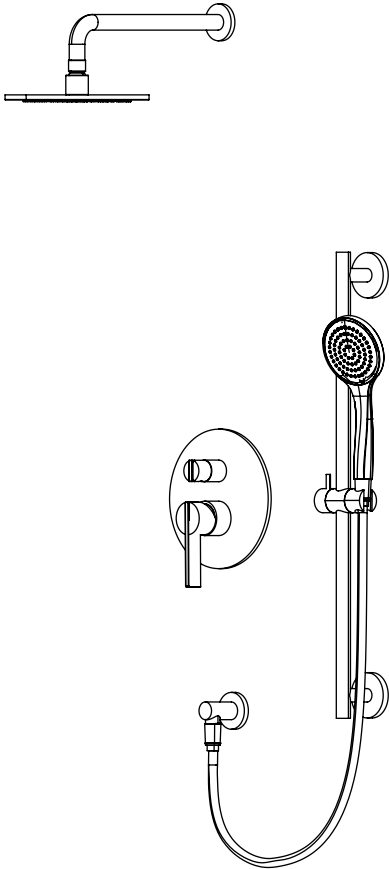


145.3360 | Two Output Shower W/ Rain Head, Hand Held & Slide Bar



COMPONENTS

- HS1002SA - 12" Shower Arm
- HS1002A - 8" Shower Head
- 145.2102T - Shower Trim
- PBV.1005A - Shower Valve
- HS5100 - Hand Held
- 100.5502 - Wall Elbow
- SP.150EM - 1.5m Hose
- 100.601001A - Slide Bar

SHOWER VALVE:

- Pressure balance shower valve
- Valve includes service stops
- Lift bottom handle to control volume
- Turn left for hot, right for cold
- Top handle controls water diversion
- 1/2" NPT

SHOWER HEAD:

- Solid brass construction
- 1.8 GPM flow rate

HAND HELD W/ SLIDE BAR & ELBOW:

- Solid Brass construction
- Hand held flow rate = 1.8 GPM
- 1/2" female NPT elbow connection
- With back flow prevention check valve

STANDARDS:

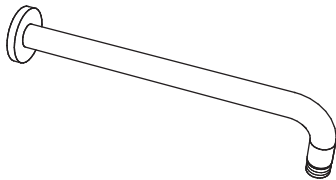
- ASME A112.18.1 / CSA B125.1

See individual component specification sheets on following pages for further details.

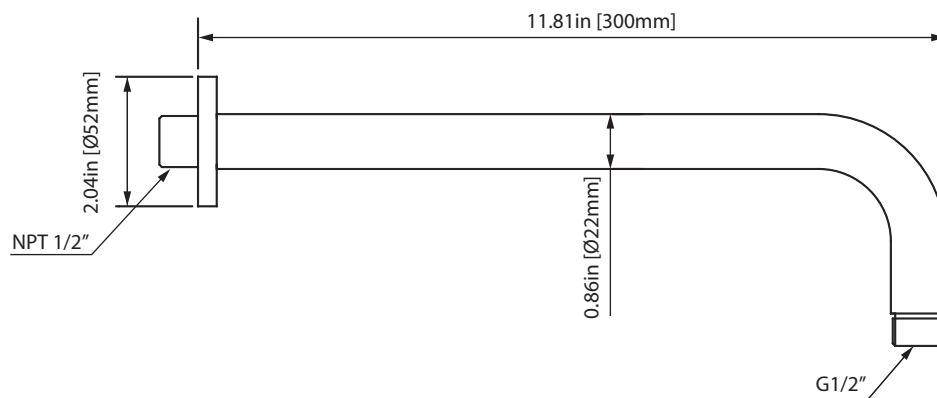
HS1002SA | Round Shower Arm - 300mm - 12"

SPECIFICATIONS:

- Solid Brass Shower Arm
- With Sliding Flange



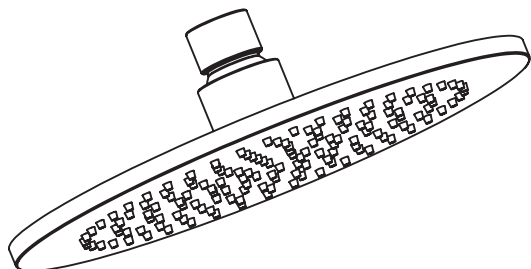
Technical Diagram



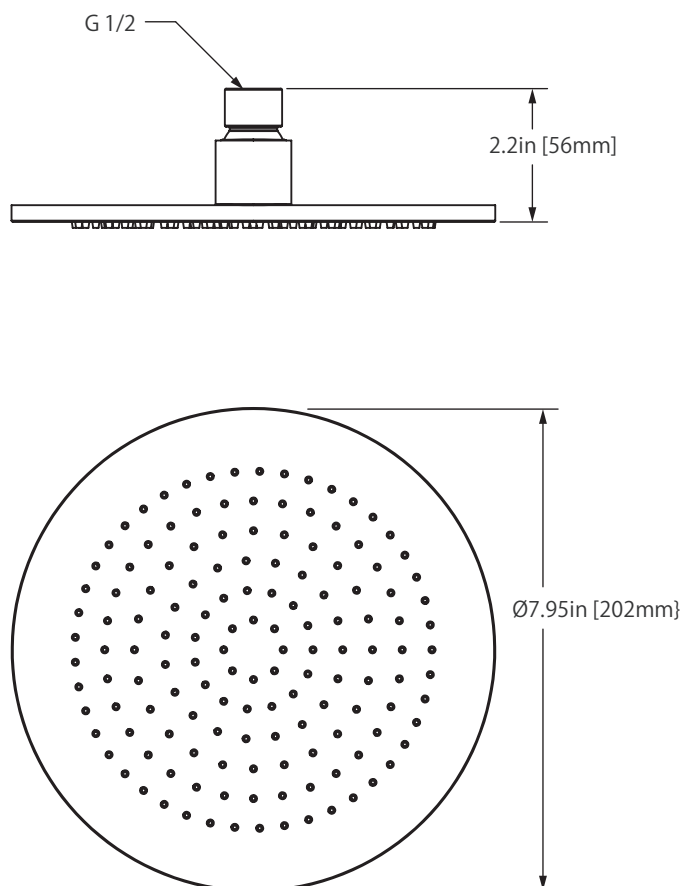
HS1002A | 8" Brass Shower Head

SPECIFICATIONS:

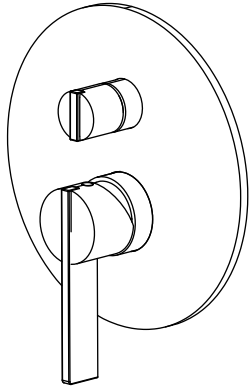
- Solid Brass Shower Head
- Scrub rubber nozzles to easily clean water sediment
- 1.8 GPM Flow Rate



Technical Diagram



145.2102T | Tub / Shower Trim



SPECIFICATIONS:

- Solid Brass construction
- Trim only - valve not included
- Lift Handle to control volume. Turn left for hot, right for cold.
- Small knob controls 2-way water diversion

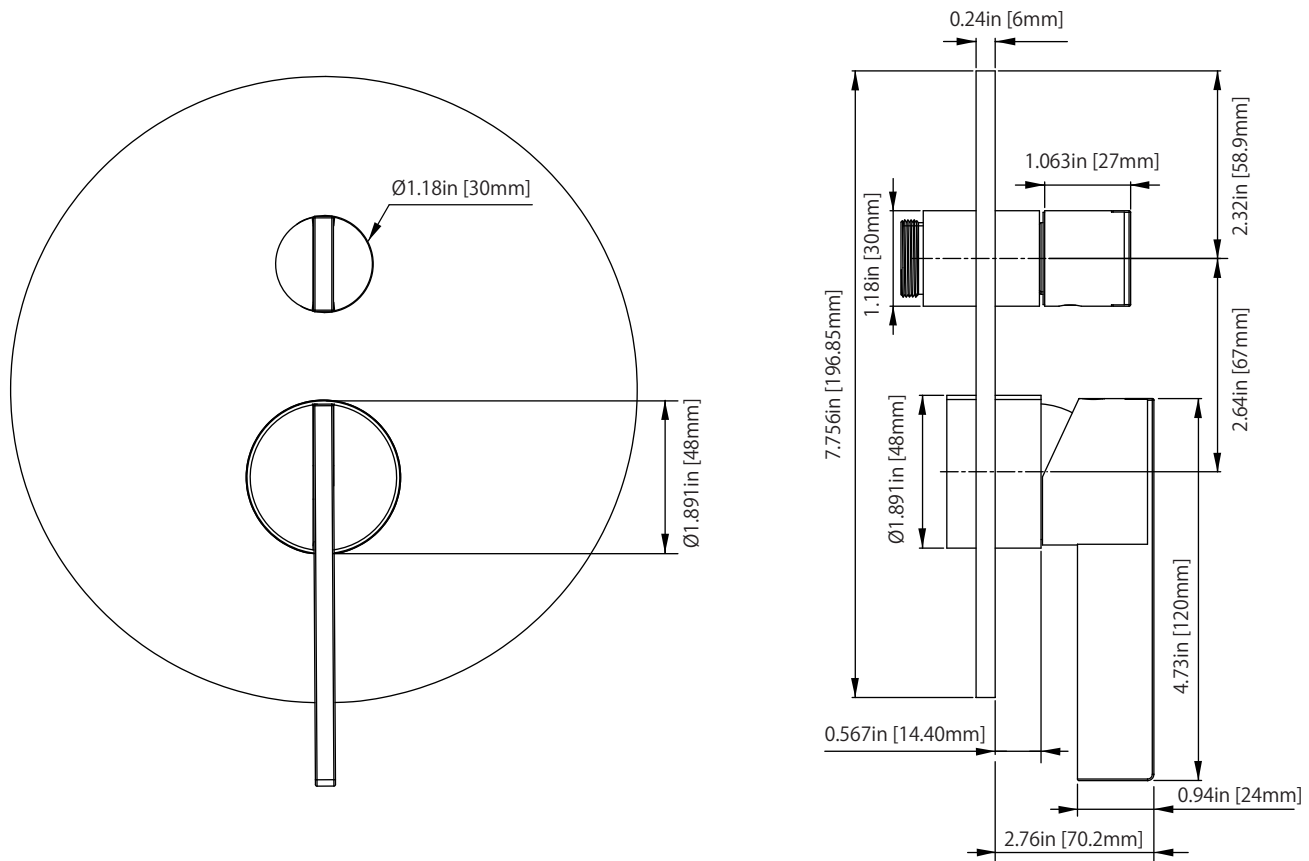
Legislation Compliance



ZeroDrip Technology



Technical Diagram



PBV1005A | Pressure Balance Valve With Integrated 2-Way Diverter Page 1 of 2

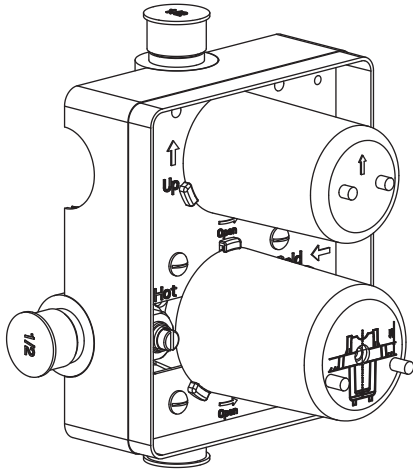


SPECIFICATIONS:

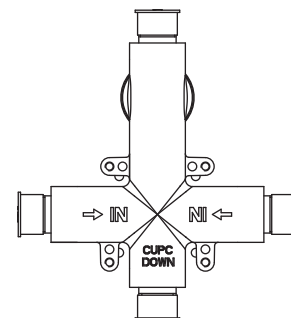
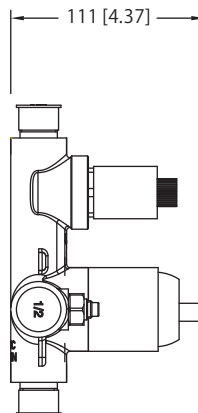
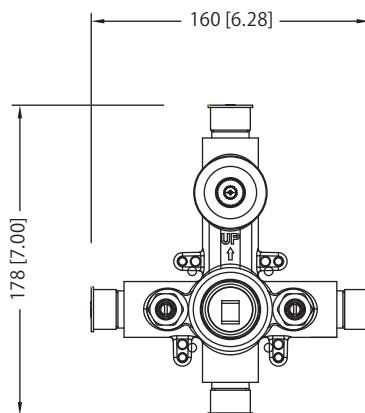
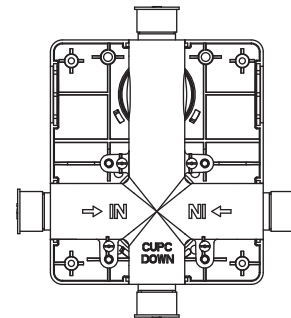
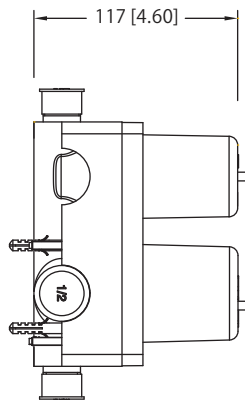
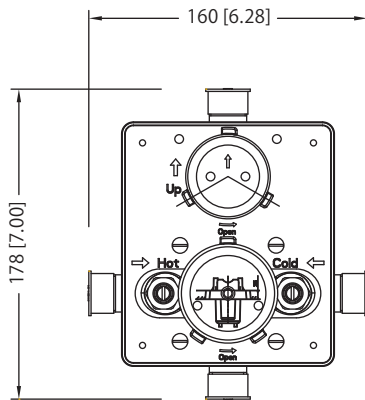
- Lift Handle to control volume. Turn left for hot, right for cold.
- Knob controls 2-way water diversion - shared output.
- Pressure Balance Valve Flow Rate - 5.5 GPM @ 60 PSI
- Extension Available - PBV.2100E**

STANDARDS:

- ASME A112.18.1 / CSA B125.1

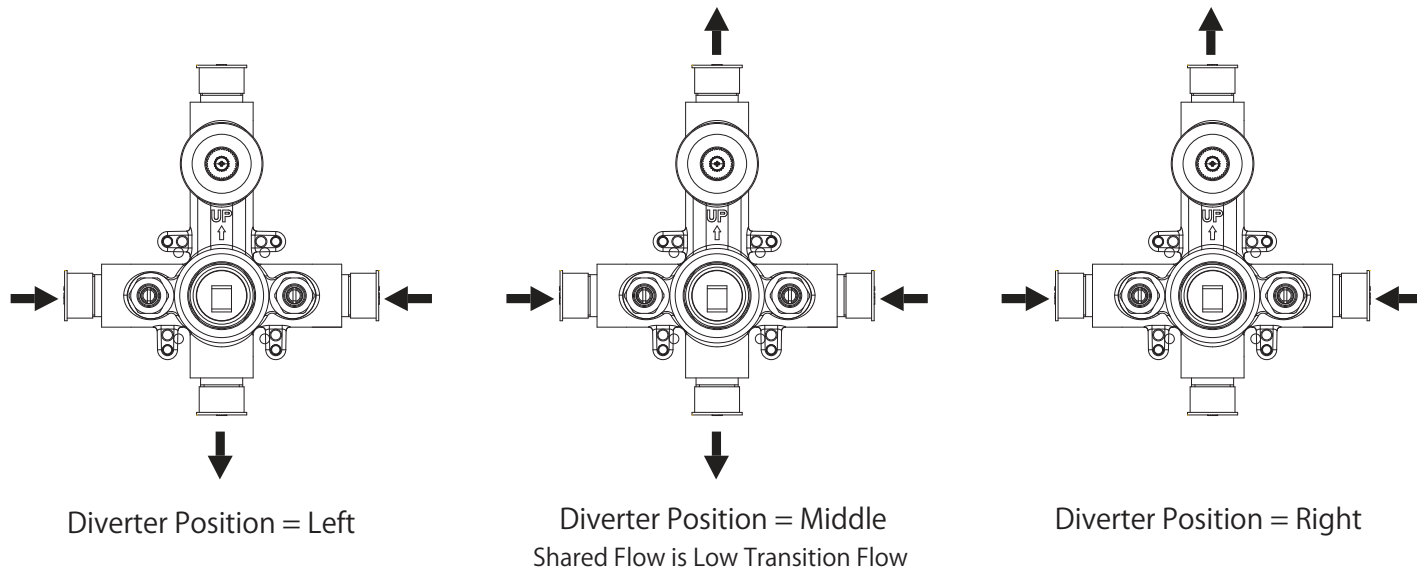


Technical Diagram

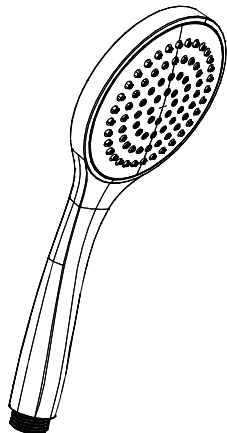




Water Diversion Diagram



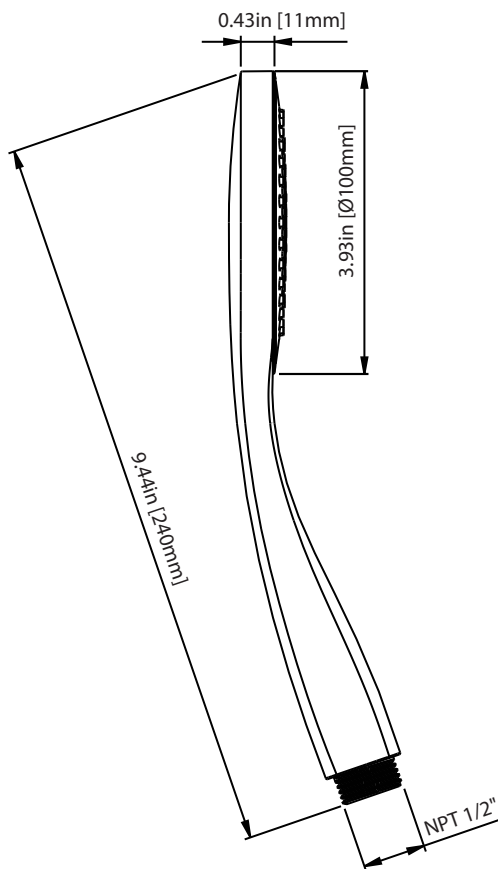
HS5100 | 100mm Single Function Hand-Shower



SPECIFICATIONS:

- ABS Construction
- Scrub nozzles to easily clean water sediment
- 1.8 GPM Flow Rate
- Includes backflow prevention check valve

Technical Diagram

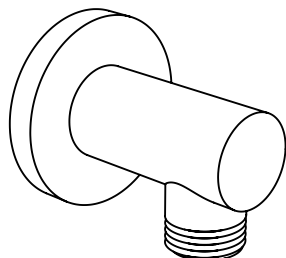


100.5502 | Wall Elbow

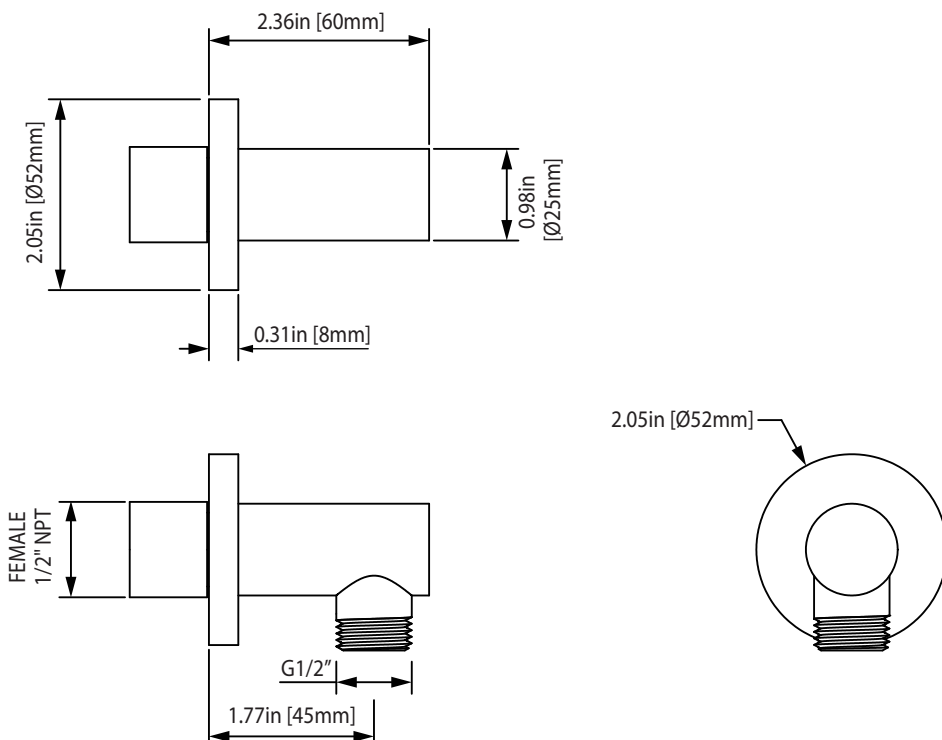


SPECIFICATIONS:

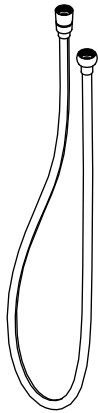
- Solid Brass construction
- 1/2" female connection with adjustment
- Includes check valve with back-flow prevention



Technical Diagram



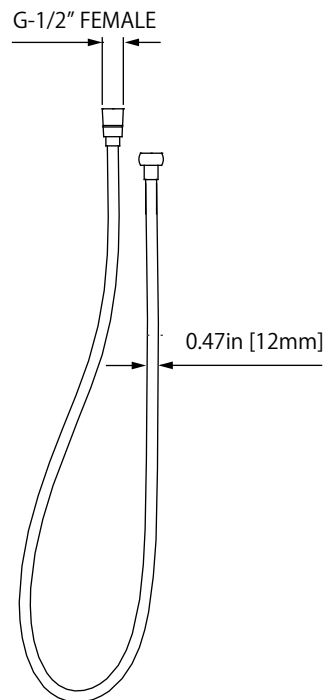
SP.150EM | Easy Maneuver Hose



SPECIFICATIONS:

- Stainless steel construction
- G-1/2" connection
- 1.5m length

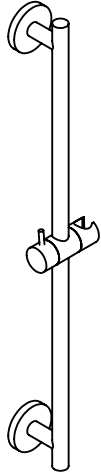
Technical Diagram



100.601001A | Slide Bar

SPECIFICATIONS:

- Solid Brass Construction
- Easy front of wall installation



Technical Diagram

