

145.4371 | 3/4" 3-Way Diverter With Integrated Shut-Off

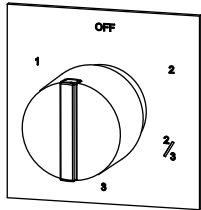


SPECIFICATIONS:

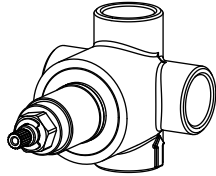
- Turn Handle for water diversion.
- Includes valve (TVH.4371)
- Valve Flow Rate - 8.0 GPM @ 60 PSI

STANDARDS:

- ASME A112.18.1 / CSA B125.1



Trim  
[ 145.4371T\*\* ]

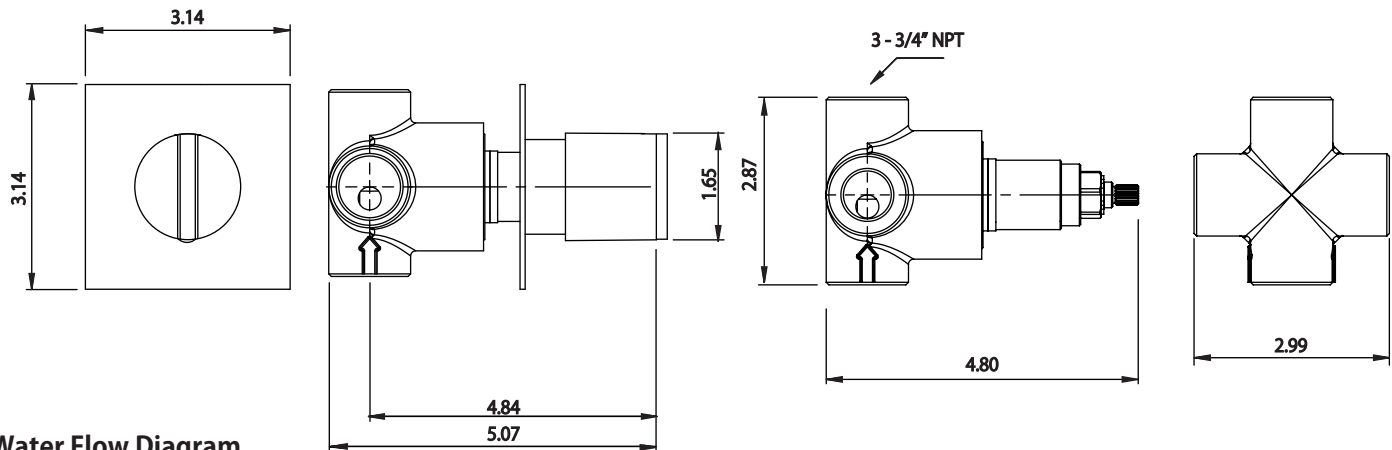


Valve  
[ TVH.4371 ]

**!** A separate volume control is **not** needed to turn water supply off. Volume control functionality is integrated within this valve.

Technical Diagram

See Spec Sheet For TVH.4371 For Detailed Information On Valve.



Water Flow Diagram

